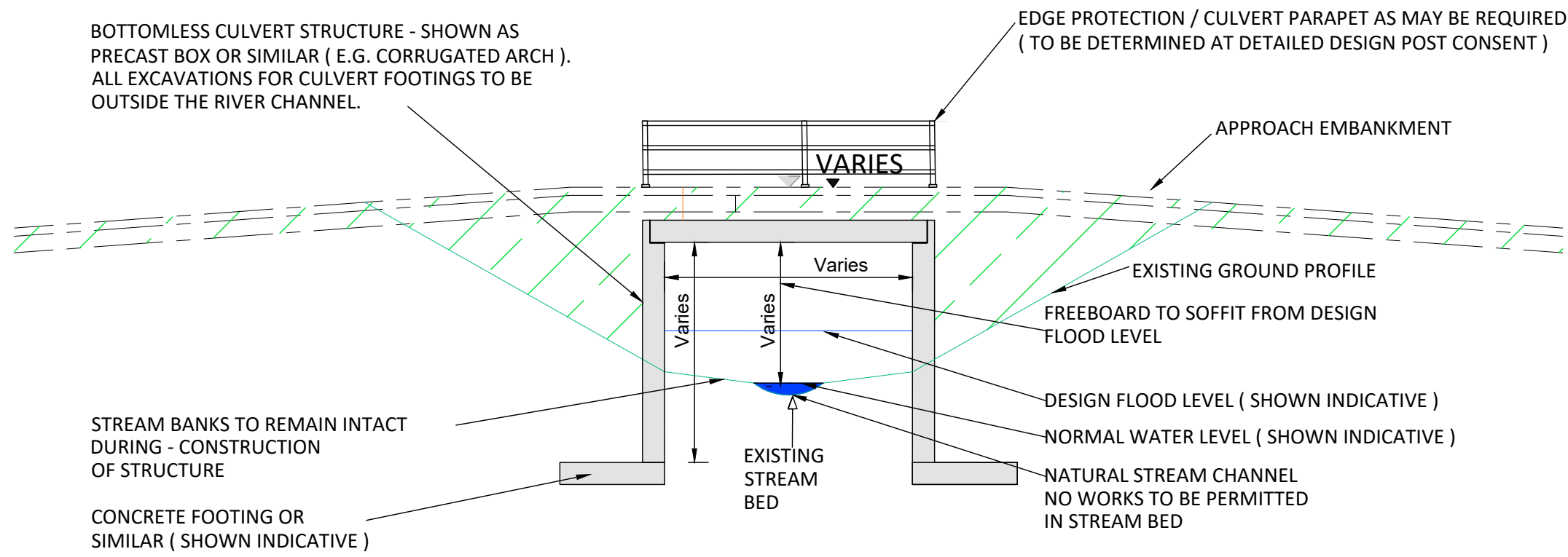


**NOTES:**  
 1 FIGURED DIMENSIONS ONLY TO BE TAKEN FROM THIS DRAWING.  
 2 ALL DRAWINGS TO BE CHECKED BY THE CONTRACTOR ON SITE.  
 3 ENGINEER TO BE INFORMED OF ANY DISCREPANCIES BEFORE ANY WORK COMMENCES.  
 4 THIS DRAWING TO BE READ IN CONJUNCTION WITH ALL OTHER RELEVANT DRAWINGS AND SPECIFICATIONS.

THIS DRAWING IS NOT TO BE USED AS A CONSTRUCTION DRAWING.



**TYPICAL BOTTOMLESS CULVERT WATERCROSSING**  
 Scale 1:100

rev.	modifications	D	C	A

P:\Jod-Jobs\6289 Tirawley WF\700 Drawings\703 Planning\200 - Drainage\6289-PL-204 Bottomless Culvert\_Detail.dwg

Client	CONSTANT ENERGY LTD								
Project	TIRAWLEY WIND FARM CO. MAYO								
Stage	PLANNING								
Title	WATERCOURSE CROSSING BOTTOMLESS CULVERT TYPICAL DETAILS								
Scales	AS NOTED @ A3								
Surveyed	JOD	Prepared	JB	Checked	MG / DT	Approved	DK	Date	APRIL 2026



© COPYRIGHT OF  
 JENNINGS O'DONOVAN AND PARTNERS LIMITED  
 FINISKLIN Tel (+353) 719 161 416  
 SLIGO Email. info@jodireland.com  
 IRELAND www.jodireland.com

@JOD\_Sligo Jennings O'Donovan & Partners Jennings O'Donovan

Job No.	6289	Drawing no.	PL-204	Revision	0
---------	------	-------------	--------	----------	---